

# GPS Radio Buoy KTR-50

## KTR-50 GPS 無線電浮標



**KTR-50 GPS Radio Buoy**  
GPS 無線電浮標




**IPC & Sea Map**  
工業電腦及操控軟體



**NSR-K50 Receiver**  
接收終端器

嘉藤電氣股份有限公司  
**Kato Electronic Co., LTD.**

 [www.radiobuoy.com](http://www.radiobuoy.com)

 Tel: +886 7 8314266  
+886 7 8602067

 Email: [kato.buoy@msa.hinet.net](mailto:kato.buoy@msa.hinet.net)



Fax: +886 7 8315041



Taiwantrade  
Supplier  
Business  
Information  
Verification

[www.tuv.com](http://www.tuv.com)  
ID 0000049941




GPS radio buoys have its own code automatically reports its latest GPS location and related information to KATO NSR-K50 reception unit on the mother vessel. KATO NSR-K50 reception unit receives signals from GPS radio buoy, decodes and shows the following data on its screen:

1. Buoy ID
2. Buoy Position (Latitude and Longitude)
3. Water Temperature
4. Remaining Battery Voltage
5. GMT Time

NSR-K50 can be connected with a programmed PC & Plotting System to calculate and show the buoy's relational data on the monitor.

GPS無線電浮標採用全時自動回報，定位並發送位置及相關資訊回母船。GPS浮標的訊號經由 NSR-K50 接收終端機接收後，立即解碼將下列資訊顯示於專用軟件系統上：

-  電浮標編號
- 浮標位置 (經度 & 緯度)
- 表層水溫
- 電池電壓顯示
- 日期和格林威治標準時間

NSR-K50 接收終端機可連接內建專用浮標操控軟體之電腦，此專用軟體可計算船速及浮標相關資訊，並將上述資料顯示於螢幕上，最大容量為99組浮標。

## Description & Features

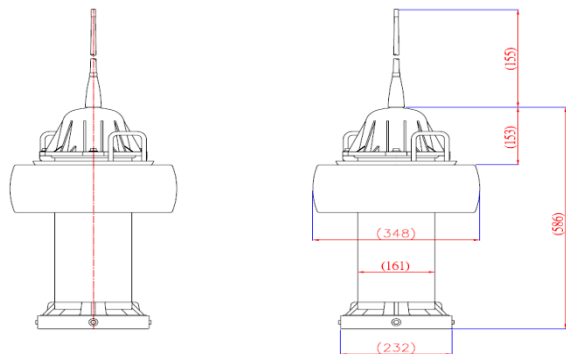
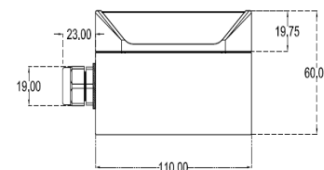
KATO GPS radio buoy is compact, power saving, easy to operate. KTR-50 GPS radio buoy has advantages as bellow:

- ✦ Water resistant and crashworthy
- ✦ Range up to 50 NM
- ✦ No communication cost (radio transmission)
- ✦ Automatic Transmissions of full-time

產品	Model	KTR-50
頻率	Transmitting Frequency	42~48 MHz
模式	Mode	FM
功率	RF Power	2W
距離	Effective Range	up to 50NM
電力	Power Supply	12V
天線	Antenna Length	150 cm
高度	Buoy Height	58.6 cm
重量	Buoy Weight	13 kg

## NSR-K50 Receiver

### 接收終端器



頻率 Frequency	42 MHz~ 48 MHz
模式 Mode	FM
靈敏度 Sensitivity	-10 dBμv
電源 Input Power	DC 12 V 0.5A
尺寸 Dimensions (mm)	200 (D) x 110 (W) x 60(H)