

Automatic Transmissions GPS Solar Buoy

全時定位太陽能電浮標

Compact
Design
輕便設計

External
Charging
可外充

Power
Saving
省電

ECO
Friendly
環保

LED Power
Indicator
電力顯示

LED
Flashlight
夜間自動閃光



KTS-1GA GPS Solar Buoy
GPS 全時定位太陽能電浮標




PC & Sea Map
電腦及操控軟體



Reception Terminal
NSR-K800 接收終端機

嘉藤電氣股份有限公司
Kato Electronic Co., LTD.

 www.radiobuoy.com

 Tel: +886 7 8314266
+886 7 8602067

 Email: kato.buoy@msa.hinet.net



Fax: +886 7 8315041



Taiwantrade
Supplier
Business
Information
Verification

www.tuv.com
ID 000049941

GPS SOLAR BUOY SYSTEM

全時定位太陽能電浮標系統

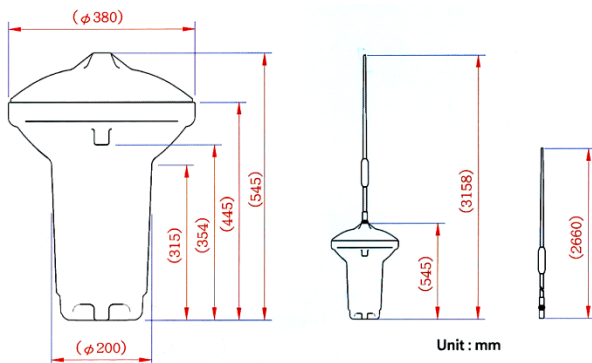


Description & Features

GPS solar buoy is compact, power saving, easy to operate and green design. KATO GPS solar buoy has advantages as below:

- ⊕ Energy from solar power
- ⊕ Water resistant and crashworthy
- ⊕ Built-in high LED flashlight and power indicator
- ⊕ Range up to 80 NM
- ⊕ No communication cost (radio transmission)
- ⊕ Automatic Transmissions of full-time
- ⊕ Emergency rechargeable with external charger

產品	Model	KTS-1GA
頻率	Transmitting Frequency	1900KHz~3200 KHz
距離	Effective Range	up to 80NM
電力	Power Source	DC 12V
天線	Antenna Length	266 CM
高度	Buoy Height	60 CM
重量	Buoy Weight	15.5 KGS



GPS Solar Buoys have its own code automatically reports its latest GPS location and related information to KATO NSR-K800 reception unit on the mother vessel.

KATO NSR-K800 reception unit receives signals from GPS solar buoy, decodes and shows the following data on its screen:

1. Buoy ID
2. Buoy Position (Latitude and Longitude)
3. Water Temperature
4. Remaining Battery Voltage
5. GMT Time

NSR-K800 can be connected with a programmed PC & Plotting System to calculate and show the buoy' s relational data on the monitor.

全時定位GPS太陽能電浮標採用全時自動回報，可立即定位並發送位置及相關資訊回母船。GPS浮標的訊號經由 NSR-K800 接收終端機接收後，立即解碼將下列資訊顯示於螢幕上：

- ⊕ 電浮標編號
- ⊕ 浮標位置 (經度 & 緯度)
- ⊕ 表層水溫
- ⊕ 電池電壓顯示
- ⊕ 日期和格林威治標準時間

NSR-K800 接收終端機可連接內建專用浮標操控軟體之電腦，此專用軟體可計算船速及浮標相關資訊，並將上述資料顯示於螢幕上，最大容量為99組浮標。

NSR-K800

Receiver & Decoder & Display

接收終端機



頻率 Frequency	1900 KHZ~ 3200 KHZ
顯示 Display	240X128 point LCD Display with Backlighting
電源 Input Power	DC 12 V
記憶容量 Memory	100 Buoys (ID 00 ~ 99) Max.
尺寸 Dimensions (mm)	295 (D) x 280 (W) x 155 (H)